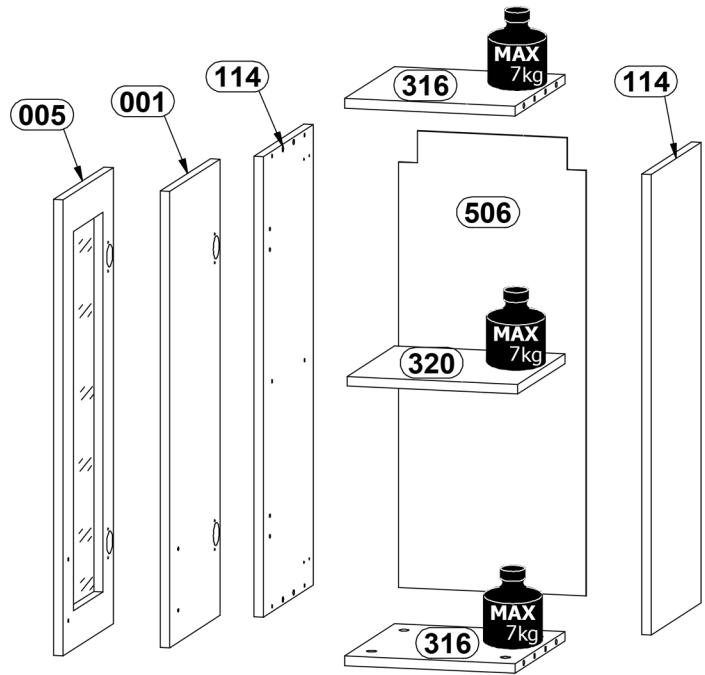
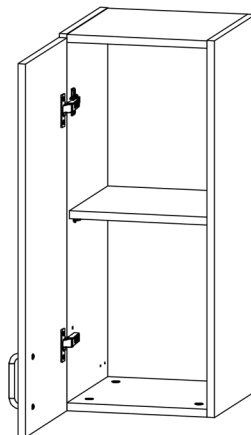
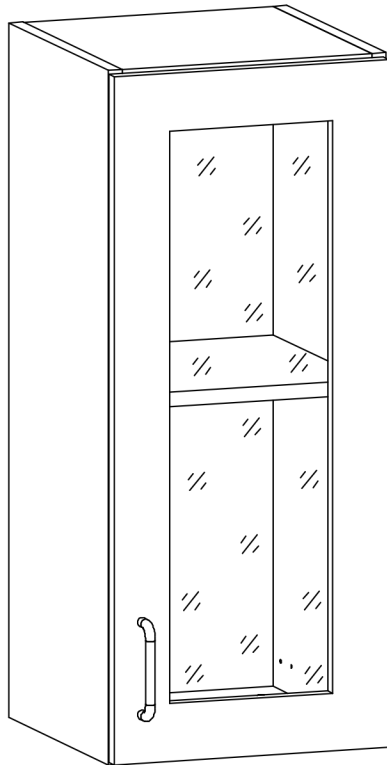
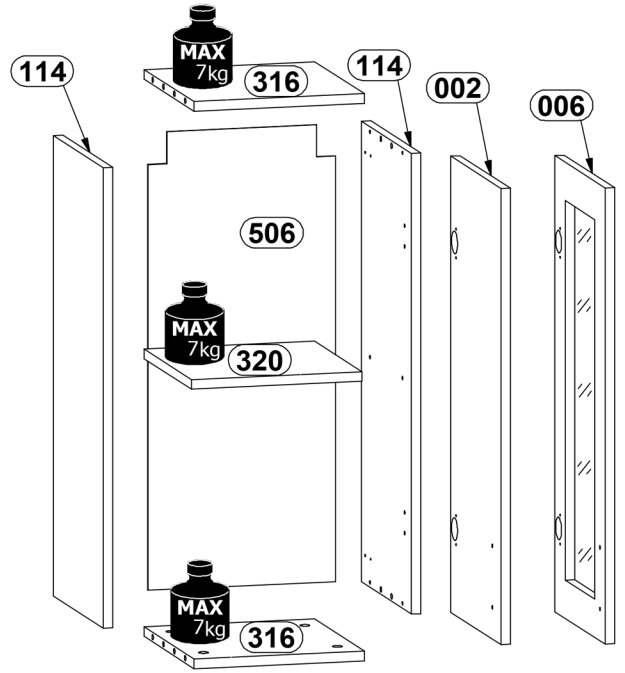
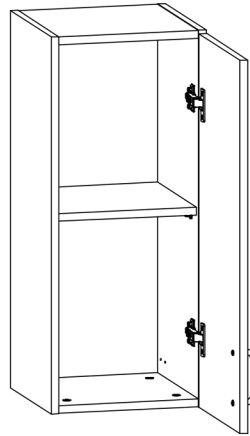
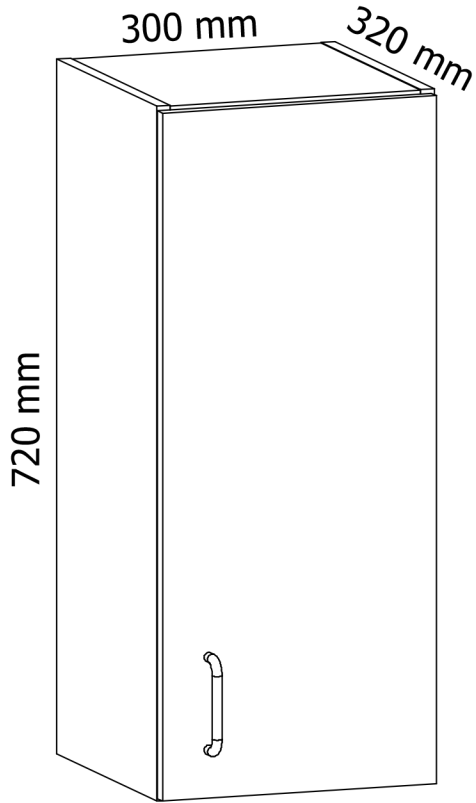
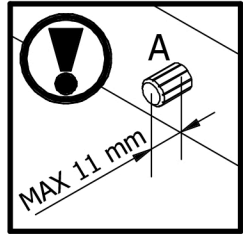
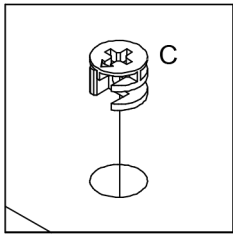
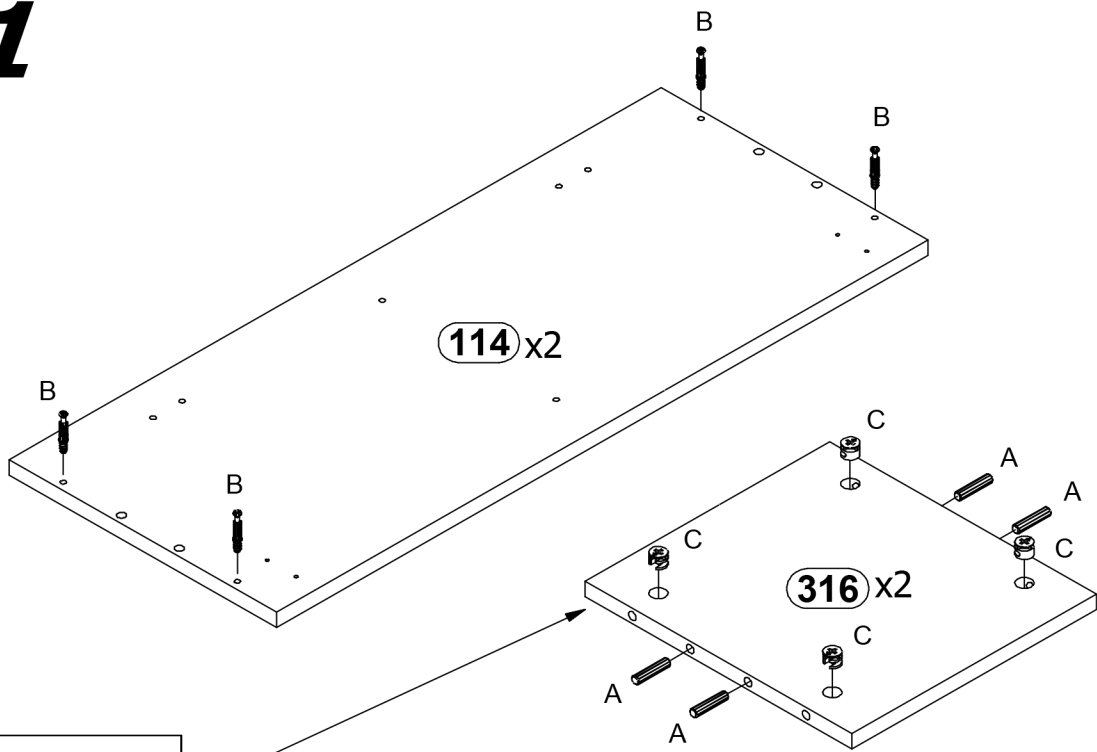
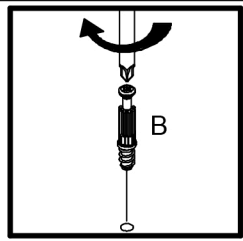


# G30 / G30S

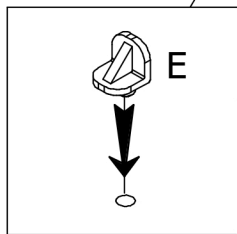
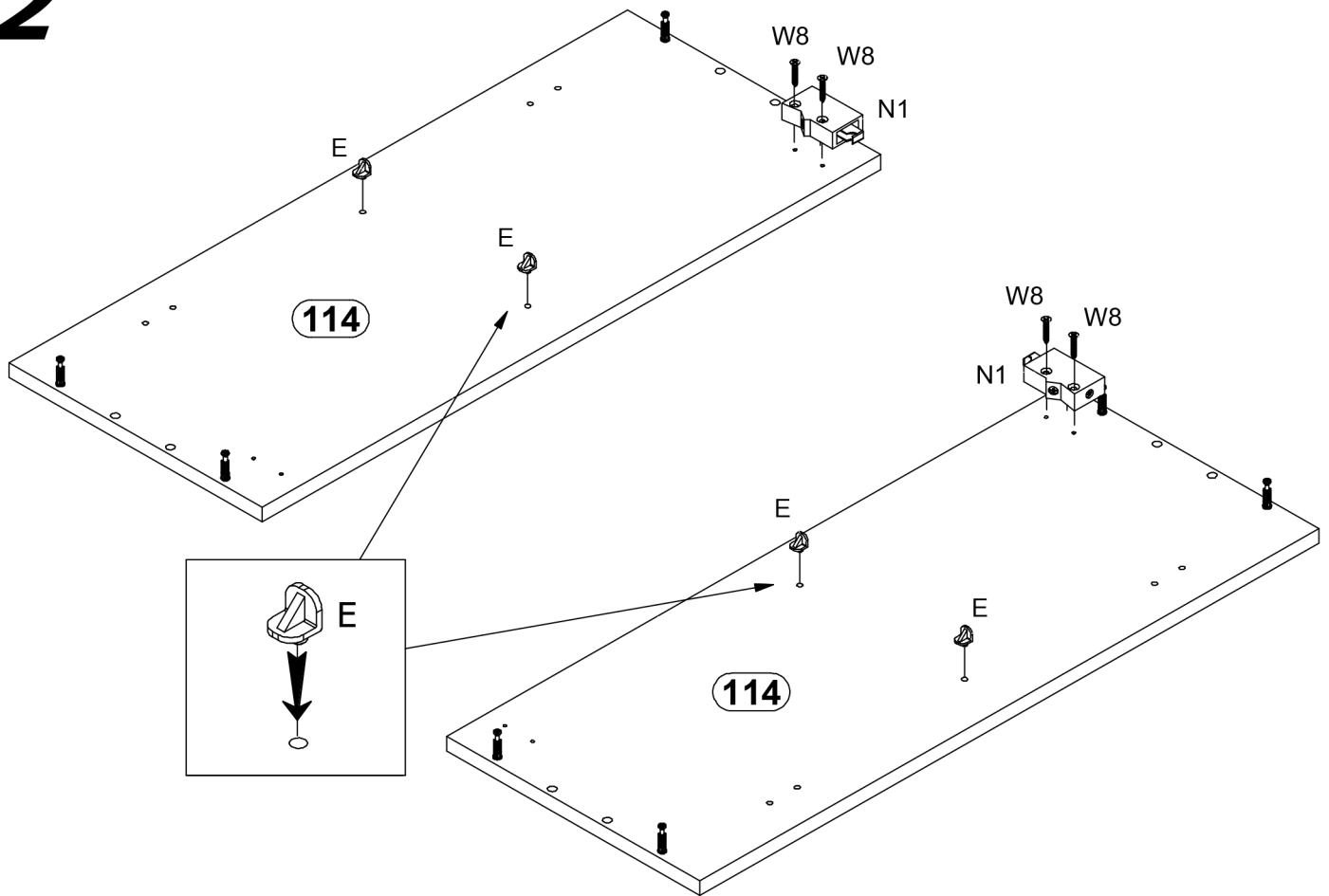


<b>A</b> x8  Ø8x35mm	<b>B</b> x8  Ø15x12mm	<b>C</b> x8 	<b>E</b> x4 
<b>G</b> x20 	<b>M</b> x1 	<b>N1</b> x2 	<b>N2</b> x2 
<b>W2</b> x4  Ø3,5x16	<b>W8</b> x4  Ø4x30mm	<b>Y</b> x8  Ø18 mm	
<b>Zc</b> x2  Zc-1  Zc-2			

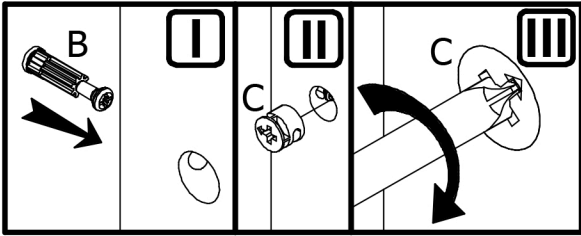
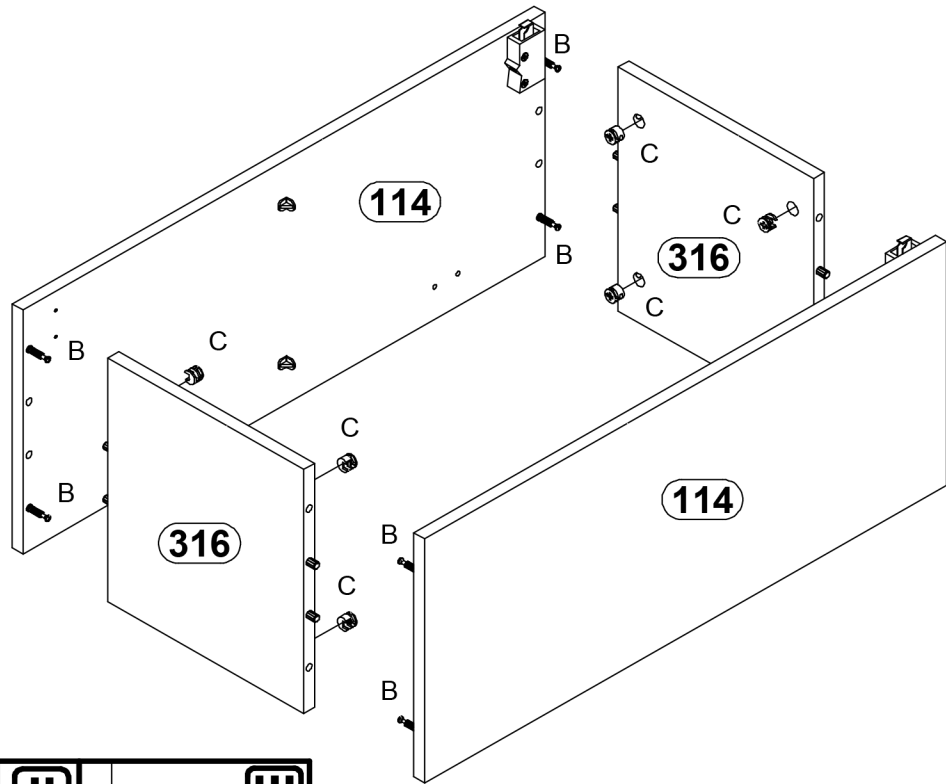
# 1



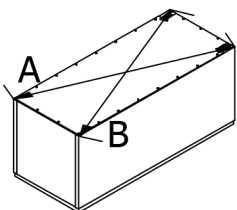
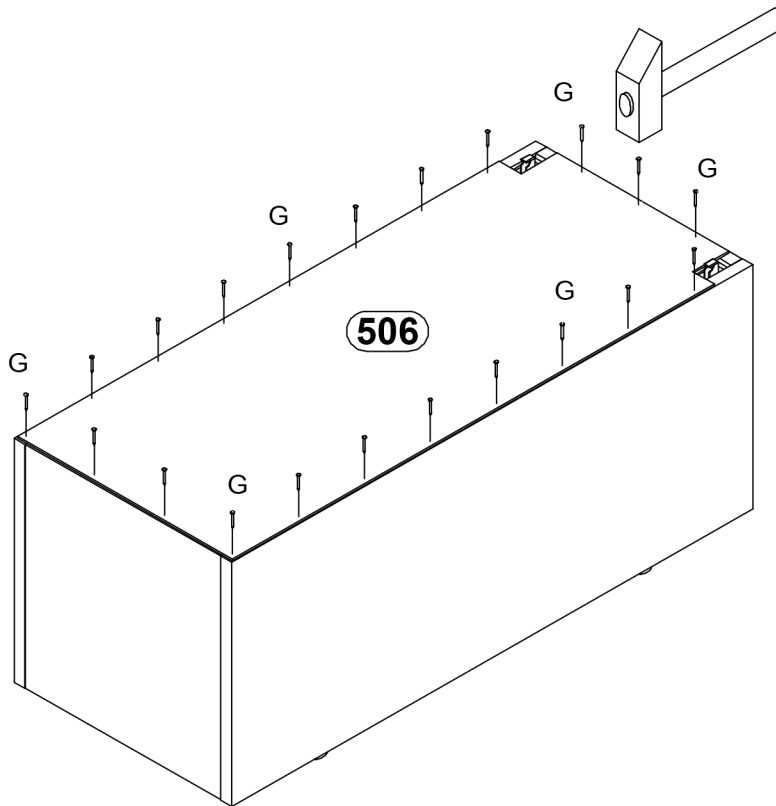
# 2



# 3

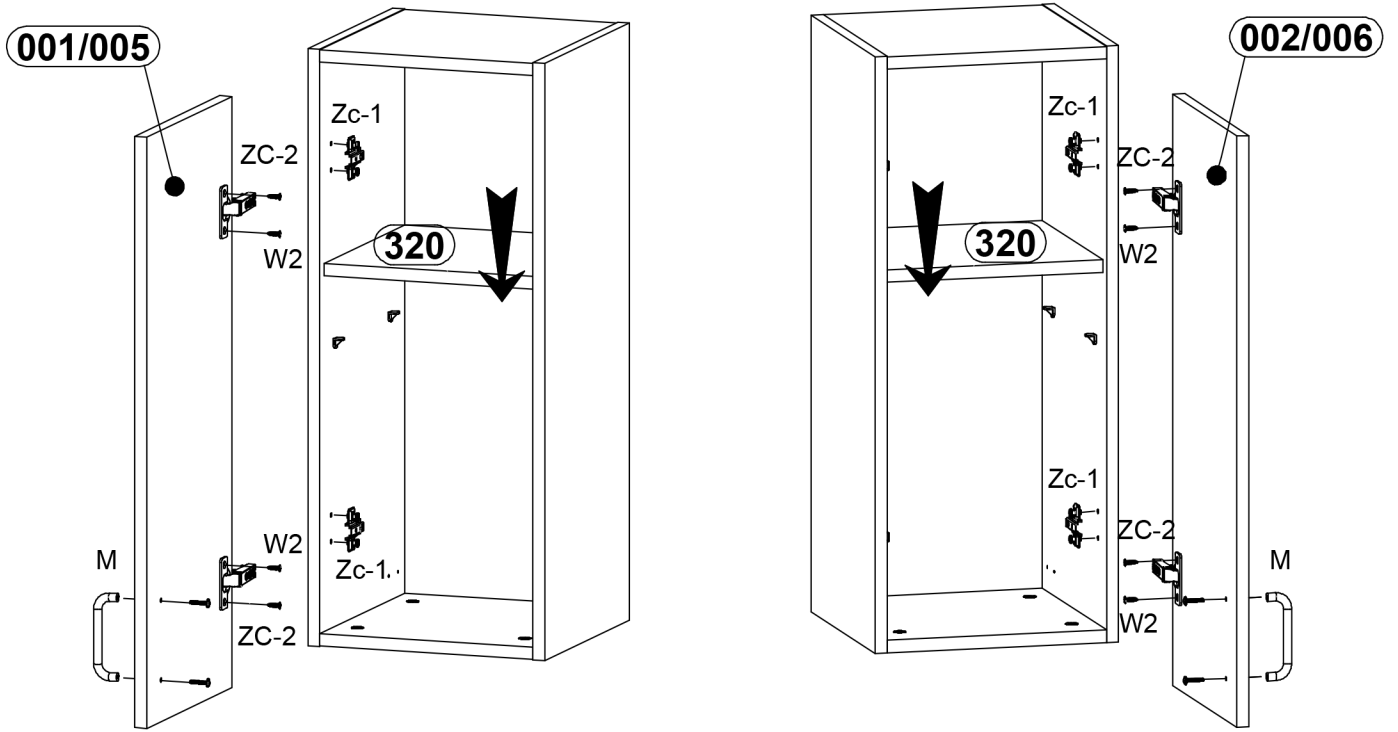


# 4

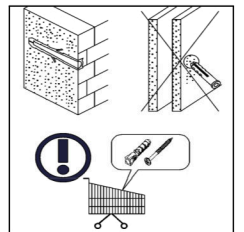
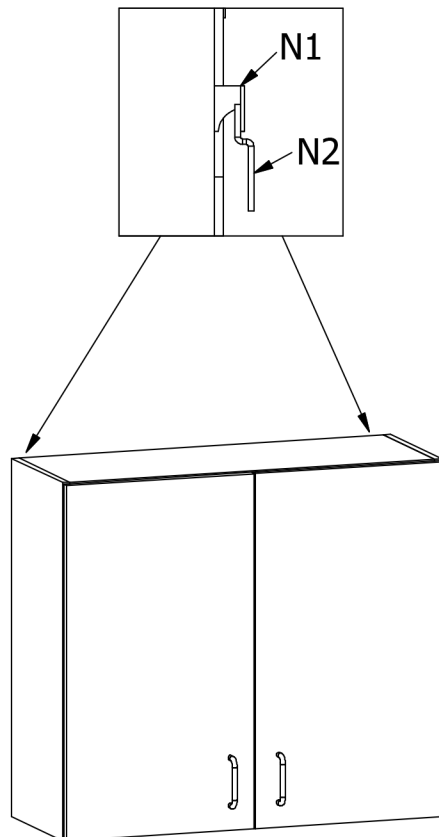


A=B

# 5

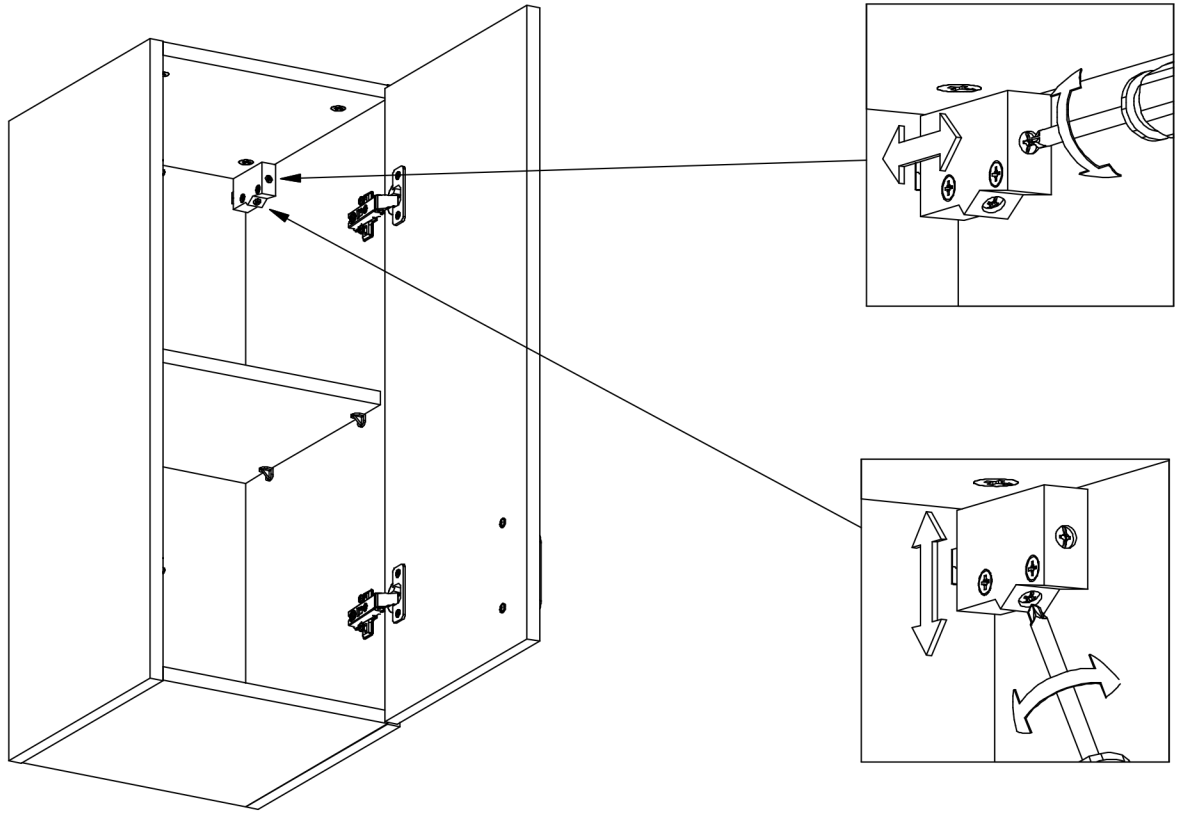


# 6





# 7



# 8

